



## **HTL SPEED INDICATION DEVICES (SID)**

**Model: MV xSID**

☎ 0800 427 346 ✉ [sales@hardingtraffic.co.nz](mailto:sales@hardingtraffic.co.nz)

# About Us

At Harding Traffic, we are more than just a company; we are pioneers in traffic control solutions with a rich history dating back to 1966 when Harding Signals was incorporated. This marked our venture into electronic traffic signals.

In 1997, our area of operations moved away from Traffic Signals and into Electronic Signage and Traffic Management Systems. To reflect this, we changed our name to Harding Electronic Signals Ltd. Harding Traffic's integration into the Traffitech Group in 2007 marked a new era of growth, joining a group of companies boasting a robust financial standing with \$45 million in revenue, assets exceeding \$20 million, and a dedicated team of 180 staff and 6 locations across New Zealand.



Our journey has been marked by a steadfast dedication to innovation and quality, leading the charge in traffic control technology. With 1000's of the country's traffic signs installed by Harding Traffic over 27 years, our impact is undeniable. Yet our ambition extends beyond electronic traffic signs; we've become a comprehensive provider of traffic management/warning systems, car park solutions, integrated traffic management solutions, data capture and analytics along with so much more. We are committed to enhancing urban infrastructure with our cutting-edge solutions.

Today, Harding Traffic stands as a testament to over 50 years of expertise in the traffic industry. Our capabilities extend across the design, manufacture, and installation of high quality, specialised traffic systems. This includes everything from Motorway signs and School Zone signs to Rural Interchange Advance Warning Signs, Illuminated Road Stud technologies, car park systems, electronic warning systems and off-street signage. We take pride in serving a diverse clientele that includes NZTA, local Councils and authorities, commercial entities and contractors.

## Quality Guaranteed

Harding Traffic holds AS/NZS 4801 Health and Safety Management certification, ISO 9001 manufacturing quality certification and ISO 14001 Environmental Management System certification. These certifications represent Harding's commitment to providing a consistently high level of service, delivery quality products based on sound management and process controls.

# Standard Features

## SMALL SPEED INDICATION DEVICE (SSID)

Harding Traffic's speed indication device (SID) highlights vehicle speed and aims to help reduce vehicle speed, improve driver behaviour, and provide a safer environment for drivers, cyclists and pedestrians.

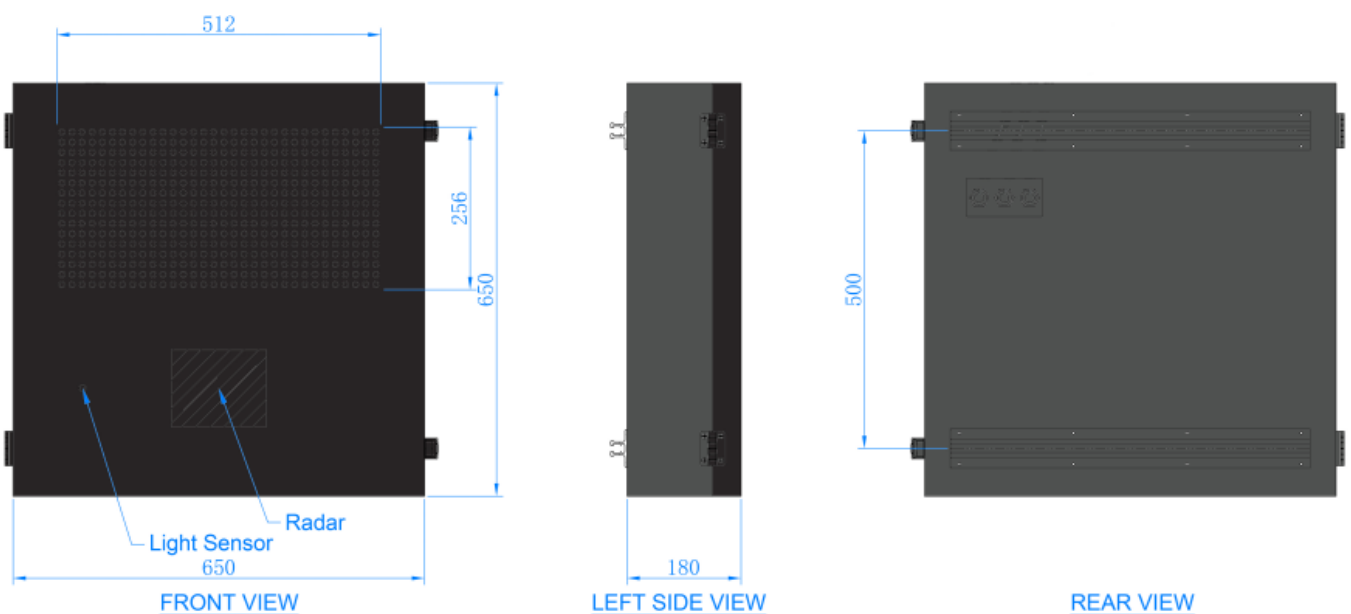
Our Small SID unit is designed to detect vehicle speeds and display them on the highly visible LED screen. When a vehicle exceeds the preset speed limit, our SID instantly triggers the display of the words "SLOW" and "DOWN," urging drivers to be cautious.

What sets our Small SID apart is its portable and lightweight design, allowing easy relocation to various locations, ultimately saving you operational costs while ensuring continuous effectiveness. Additionally, you can choose between mains or solar power options and flexible pole or wall mounting to suit your specific needs.



### FEATURES

- LED Technology
- Inbuilt radar sensor
- Vehicle Activated
- Flexible power sources
- Two Stage Activation



# Sign Specifications

## SMALL SPEED INDICATION DEVICE (SSID)

- **HTL Code:** MV SSID
- **Cabinet Dimensions:** 650mm wide x 650mm high x 130mm deep
- **Cabinet Colour:** Powder coated black front with aircraft grey on side and rear
- **Supplementary Sign:** Your Speed 600mmW X 380mmH
- **Power / Voltage:** 12 VDC solar option or 230 V AC mains option
- **Weight:** 13Kg (without batteries)
- **LED Display Colour:** Amber & White (RGB LEDs)
- **Enclosure Rating:** IP56
- **Cabinet Material:** Aluminum
- **Sign Maintenance:** Front access.
- **Sign Design Life:** 10 years
- **Warranty Period:** 12 months

### INTERNAL RADAR

- **Operating Frequency:** 24.15GHz
- **Speed Detection Range:** (5 ~ 350) km/h
- **Accuracy:** (±1) km/h
- **Lanes Application:** Single Lane
- **Detection Range:** 100m
- **Operating temperature:** -30°C ~ 70°C Celsius
- **Refresh Rate:** 0.5Hz
- **Power Supply:** (9 ~ 24) VDC

## Display Sequins



Supplementary Sign

# Standard Features

## LARGE SPEED INDICATION DEVICE (LSID)

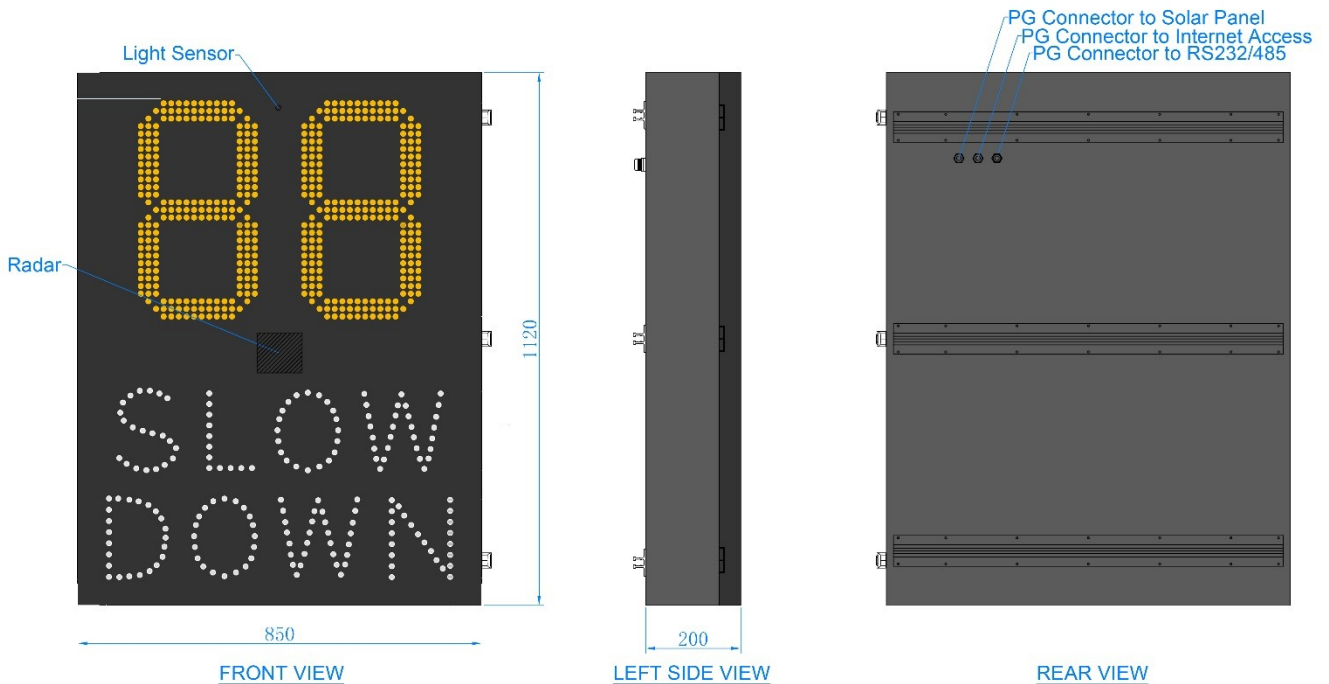
Harding Traffic's speed indication device (SID) highlights vehicle speed and aims to help reduce vehicle speed, improve driver behaviour, and provide a safer environment for drivers, cyclists and pedestrians.

The Large SID unit is engineered to detect vehicle speeds and showcase them on a prominent LED display. When a vehicle surpasses the designated speed threshold, our SID will promptly illuminate the words "SLOW DOWN," serving as an instant reminder for drivers to exercise caution.

At Harding Traffic, we are committed to reducing vehicle speeds, improving driver behaviour, and ensuring the well-being of drivers, cyclists, and pedestrians. Our Large SID is a powerful tool in achieving these goals, providing clear and effective speed feedback to create safer roadways.

### FEATURES

- LED Technology
- Inbuilt radar sensor
- Vehicle Activated
- Flexible power sources
- Two Stage Activation



# Sign Specifications

## LARGE SPEED INDICATION DEVICE (LSID)

- **HTL Code:** MV LSID
- **Cabinet Dimensions:** 850mm Wide x 1120mm High x 200mm Deep
- **Cabinet Colour:** Powder coated black front with aircraft grey on side and rear
- **Supplementary Sign:** Your Speed 600mmW X 380mmH
- **Power / Voltage:** 12 VDC solar option or 230 V AC mains option
- **Weight:** 30kg (without batteries)
- **LED Display Colour:** Amber & White (RGB LEDs)
- **Enclosure Rating:** IP56
- **Cabinet Material:** Aluminum
- **Sign Maintenance:** Front access.
- **Sign Design Life:** 10 years
- **Warranty Period:** 12 months

### INTERNAL RADAR

- **Operating Frequency:** 24.15GHz
- **Speed Detection Range:** (5 ~ 350) km/h
- **Accuracy:** (±1) km/h
- **Lanes Application:** Single Lane
- **Detection Range:** 100m
- **Operating temperature:** -30°C ~ 70°C Celsius
- **Refresh Rate:** 0.5Hz
- **Power Supply:** (9 ~ 24) VDC

## Display Sequins



Supplementary Sign

# Standard Features

## WORKZONE SPEED INDICATION DEVICE (WZSID)

Experience the future of road-side work zone safety with Harding Traffic's innovative Speed Indication Device (SID). Engineered for versatility, portability, and durability, our SID is the ideal solution for your road-side workzone needs.

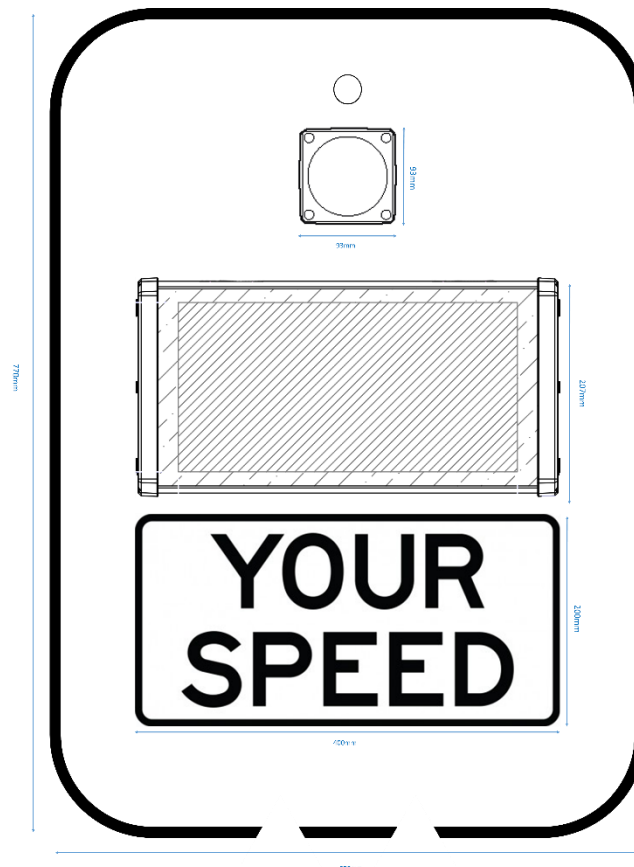
Equipped with an integrated radar system, our SID seamlessly detects approaching vehicles, instantly displaying their speeds on a highly visible LED screen. This real-time speed feedback empowers you to maintain safer work zones

What truly sets our SID apart is its effortless portability. It can be easily partially dismantled for swift transportation and setup, making it a breeze to adapt to changing work zone locations. Operating on a 12v system, it also includes the convenience of connecting to a vehicle's Trailer Lighting Plug.



### FEATURES

- LED Technology
- Weatherproof radar sensor
- Vehicle Activated
- Shows vehicle speed



# Sign Specifications

## WORKZONE SPEED INDICATION DEVICE (WZSID)

- **HTL Code:** MS WZSID
- **Dimensions:** 550mm Wide x 770mm High
- **Colour:** White Reflective background with Black writing
- **Power / Voltage:** 12 VDC via Trailer Lightning Plug
- **Weight:** 8kg
- **LED Display Colour:** RED & GREEN (RGB LEDs)
- **Enclosure Rating:** IP56
- **Sign Material:** Aluminum
- **Warranty Period:** 12 months

### RADAR

- **Operating Frequency:** 24.15GHz
- **Speed Detection Range:** (5 ~ 350) km/h
- **Accuracy:** (±1) km/h
- **Lanes Application:** Single Lane
- **Detection Range:** 100m
- **Operating temperature:** -30°C ~ 70°C Celsius
- **Refresh Rate:** 0.5Hz
- **Power Supply:** (9 ~ 24) VDC



## Display Sequins

Within Speed Limit



Over Speed Limit





# Additional Options

## SMART SIGN

Harding Sign Monitor “Smart Sign” is an innovative traffic management software accessible via the Internet. This innovative solution empowers users to effortlessly oversee and control numerous devices within the software providing real-time status updates and enabling the transmission of content to the equipment.

- **HTL Code:** MV HSMK
- Remote Monitoring
- Online Schedule Updates
- Automated Daylight savings time changes
- Alarm notifications on errors /
- Alarm notifications on battery health.
- Optional Radar module in combination with our radar option will allow you to monitor speeds<sup>1</sup>

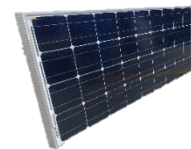
1. Requires MV HSML and has a Quarterly ongoing charge.



## SOLAR POWERED BATTERY/SOLAR KITS

Harding Traffic's solar systems are tailored to each specific sign type. Our solar systems are designed to power a sign for a minimum of two days without sunlight and to recharge the batteries within one normal day of sunlight. They utilize industry-standard solar power components, which are housed internally and is secured using the sign's locking mechanism. The solar panel itself is affixed to the top of the pole on which the sign is mounted.

- **HTL Code (SSID)** MV IBSKS60, MV IBSKS100, MV IBSKS200
- **HTL Code (LSID)** MV IBSKL100, MV IBSKL200
- **Solar Capacity (Nominal):** 100w or 200w
- **Junction Box:** IP67
- **PV Cells:** Mono-crystalline silicon cell per panel
- **Dimensions:** Varied depending on option
- **Front Glass:** 3.2mm, low iron, tempered glass
- **Operating temperature** -40°C to ~ 85°C
- **Battery Voltage:** 12V
- **Storage Capacity (Battery)** From 20ah, depending on setup.
- **Battery Type** VRLA



Low sunlight areas (less than 8 nominal hours of sunlight per day) or vehicle counts over 2500 VPD (for radar activated) signs will be required the MV IBSKL200.

## MAIN'S POWERED KITS

Harding Traffic's Mains Power Ready kit is integrated directly into the sign, including all necessary components to establish a safe and controlled mains power supply for our wide range of active signs.

- **HTL Code:** MV MAINSP2
- **Output DC Voltage:** 12V
- **Input Voltage Range:** 88 ~ 264 VAC / 124 ~ 370VDC
- **Working Temp:** -30°C to +70°C
- **Protections:** Short circuit / Overload / Over voltage / Over temper



## SPEED RADAR

Harding Traffic have thoroughly investigated the global Radar market, seeking the most reliable and cost-effective solutions to incorporate into our Electronic Warning Signs. We now have a range of options to suit all roading / traffic scenarios, catering for urban, rural and motorway speed considerations. The data can also be monitored and reported<sup>1</sup>.

### Long Range

- **HTL Code:** MV INRAD600
- **Radar Range:** 360m typical detection range<sup>2</sup>
- **Direction options:** Bidirectional
- **Radar Frequency:** 24.125GHz centre +/- 25Mhz
- **Accuracy:** +/- 0.5%
- **Operating temperature:** -40 to 85 degree Celsius
- **Speed Detection Range:** 1kph to 331kph
- **Interface:** Primary and Auxiliary RS232

1. Requires MV HSMK and MV HSML  
2. Factory programmable and location dependant



# Options for Workzone SID

## CAR CHARGER PLUG

Upgrade your Workzone SID's power connection setup with our in-car charging cable option! Say goodbye to the hassle of standard trailer lighting plugs and enjoy the convenience of powering your Work Zone SID directly from your vehicle.

- **HTL Code:** MS OCARC



## BATTERY KIT

Enhance your work zone setup with our portable battery box option for powering your Workzone SID. No more relying on your vehicle for power—our battery box provides flexibility and ensures your sign stays operational without needing to be connected to your vehicle's trailer plug or 12V charging port. At the end of the day, simply pack up the sign and battery box, and charge the battery overnight for use again the next day.

- **HTL Code:** MS WZBATKIT
- **Battery Voltage:** 12V
- **Storage Capacity (Battery)** 40ah
- **Battery Type:** VRLA



## KWIK LOK STAND/BASE

The Kwik-Lok single-sided stand works perfectly with our Workzone SID sign and fits into the Kwik-Lok folding base. This system can be easily dismantled and packed up for easy transportation.

- **HTL Code:** WO TS02351 (Base)
- **HTL Code:** WO TS1835S (Stand)

